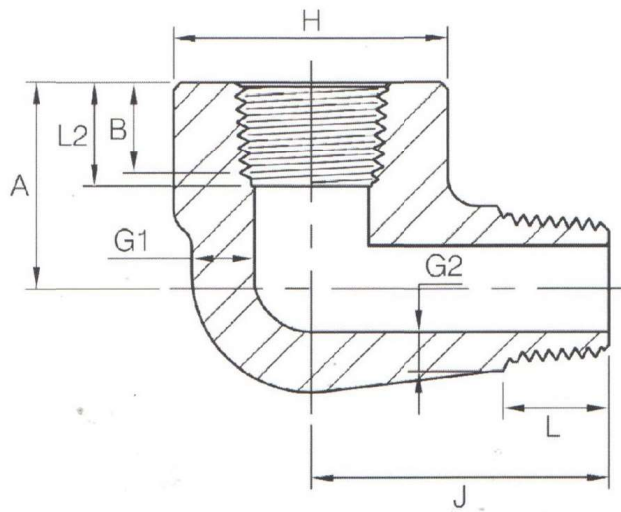


STREET ELBOW

ASME B16.11



Dimensions in Millimeters.

DN	Nom. Pipe Size	H	A	J	G1 (Min)	G2 ⁽¹⁾ (Min)	B ⁽²⁾ (Min)	L2 ⁽²⁾ (Min)	L (Min)
----	----------------	---	---	---	-------------	----------------------------	---------------------------	----------------------------	------------

3000Lb

6	1/8	19	19	25	3.18	2.74	6.4	6.7	10.0
8	1/4	25	22	32	3.30	3.22	8.1	10.2	11.0
10	3/8	32	25	38	3.51	3.50	9.1	10.4	13.0
15	1/2	38	28	41	4.09	4.16	10.9	13.6	14.0
20	3/4	44	35	48	4.32	4.88	12.7	13.9	16.0
25	1	51	44	57	4.98	5.56	14.7	17.3	19.0
32	1-1/4	62	51	66	5.28	5.56	17.0	18.0	21.0
40	1-1/2	70	54	71	5.56	6.25	17.8	18.4	21.0
50	2	84	64	84	7.14	7.64	19.0	19.0	22.0

6000Lb

6	1/8	25	22	32	5.08	4.22	6.4	6.7	10.0
8	1/4	32	25	38	5.66	5.28	8.1	10.2	11.0
10	3/8	38	28	41	6.98	5.59	9.1	10.4	13.0
15	1/2	44	35	48	8.15	6.53	10.9	13.6	14.0
20	3/4	51	44	57	8.53	6.86	12.7	13.9	16.0
25	1	62	51	66	9.93	7.95	14.7	17.3	19.0
32	1-1/4	70	54	71	10.59	8.48	17.0	18.0	21.0
40	1-1/2	84	64	84	11.07	8.89	17.8	18.4	21.0
50	2	102	83	105	12.09	9.70	19.0	19.0	22.0

(1) Wall thickness before threading.

(2) Dimension B is minimum length of perfect thread. The length of useful thread (B plus threads with fully formed roots and flat crests) shall not be less than L2 (effective length of external thread) required by American National Standard for pipe threads (ANSI / ASME B1.20.1)