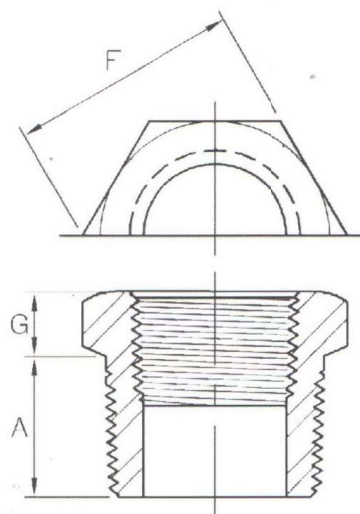
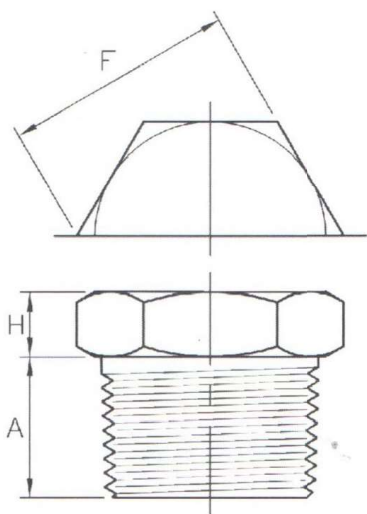


HEX HEAD PLUG & BUSHING

ASME B16.11



Dimensions in Millimeters.

Hex Head Plug

DN	Nom. Pipe Size	A (Min)	F (Nom.)	H (Min)
6	1/8	10	11	6
8	1/4	11	16	6
10	3/8	13	18	8
15	1/2	14	22	8
20	3/4	16	27	10
25	1	19	36	10
32	1-1/4	21	46	14
40	1-1/2	21	50	16
50	2	22	65	18
65	2-1/2	27	75	19
80	3	28	90	21
100	4	32	115	25

Dimensions in Millimeters.

Hex Head Bushing

DN	Nom. Pipe Size	A (Min)	F (Nom.)	G (Min)
8	1/4	11	16	3
10	3/8	13	18	4
15	1/2	14	22	5
20	3/4	16	27	6
25	1	19	36	6
32	1-1/4	21	46	7
40	1-1/2	21	50	8
50	2	22	65	9
65	2-1/2	27	75	10
80	3	28	90	10
100	4	32	115	13

(1) CAUTIONARY NOTE REGARDING HEX BUSHINGS.
Hex Head Bushings of one-size reduction should not be Used in services where they might be subject to harmful Loads and forces ther than internal pressures.